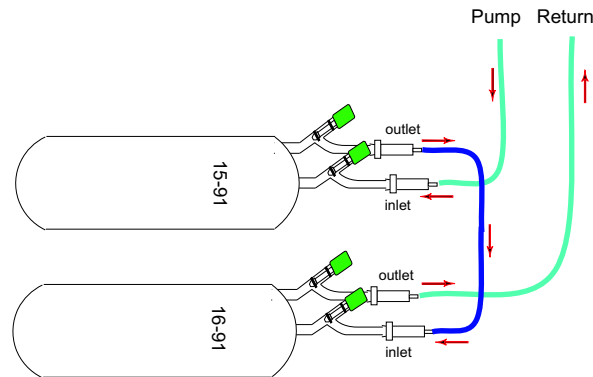
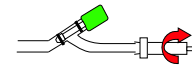
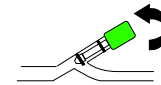


Manual Air Sampling Quick Reference (May 2006)

1. Install the flasks according to the diagram below.
Make sure the connections are tight (push and twist).



2. Open all four flask stopcocks.



3. Lift toggle valve to the upright (flush) position.



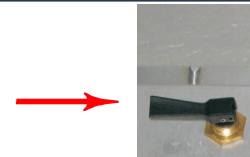
4. Move switch to the "ON" position.

5. Note flow rate and voltage.



6. Flush flasks for 5 minutes (walk downwind).

7. After 5 minutes, return to the sampler and move the toggle valve to the down (pressurize) position.
Walk downwind and allow to pressurize for 1 minute.



8. After 1 minute, return to the sampler and turn the power "OFF".
Note the pressure on the pressure gauge.



9. Close all four stopcocks. Check that they are completely Closed.



10. Remove the flasks from the air sampler. Make sure the sample sheet is completely filled out.



11. Plug in the battery charger and connect it to the manual sampler. Charge the battery for at least 8 hours before next sample.



Charging



Charge Done