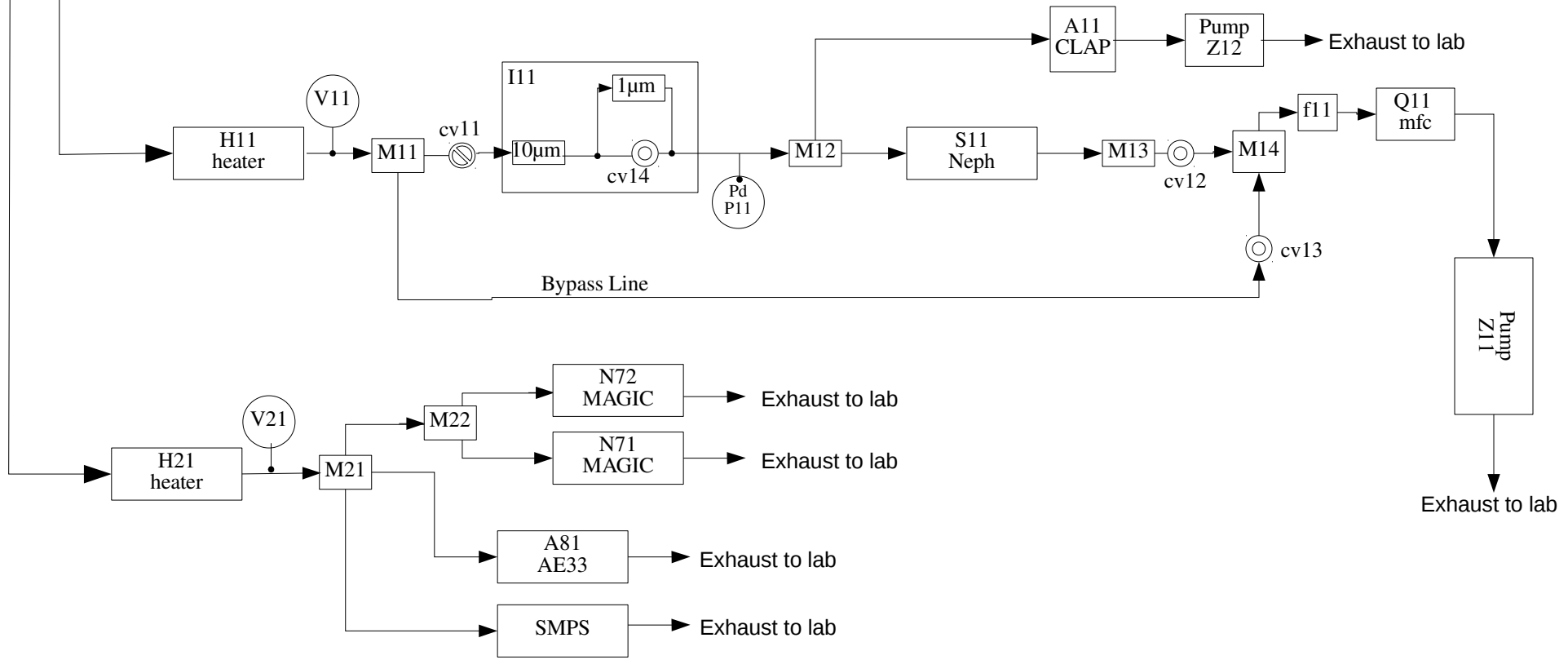


WPB

2022-02-02 New EJA

- fxx Filter
- Vxx Vaisala T/RH
- Mxx Manifold
- Pd
Pxx Pressure sensor
- Automatic valve
- ⊗ Manual valve
- mfc Mass flow controller
- Hxx Heater

- Sample air in
- CLAP -> A11
 - Neph -> S11
 - MAGIC1 -> N71
 - MAGIC2 -> N72
 - AE33 -> A81
 - Analyzer_flow -> Q11
 - RH_Sample -> V11
 - RH_Rack2 -> V21
 - Manual bypass -> cv11
 - Solenoid#1 -> cv12
 - Solenoid#2 -> cv13
 - Impactor valve -> cv14
 - Impactor dP -> P11



CLAP -> A11
Neph -> S11
MAGIC -> N71
AE33 -> A81
Analyzer_flow -> Q11
RH_Sample -> V11
RH_room -> V91
Manual bypass -> cv11
Solenoid#1 -> cv12
Solenoid#2 -> cv13
Impactor valve -> cv14

Add variables that will just be logged
internally
Pd_P11 - impactor dP
Ws, wd, etc...