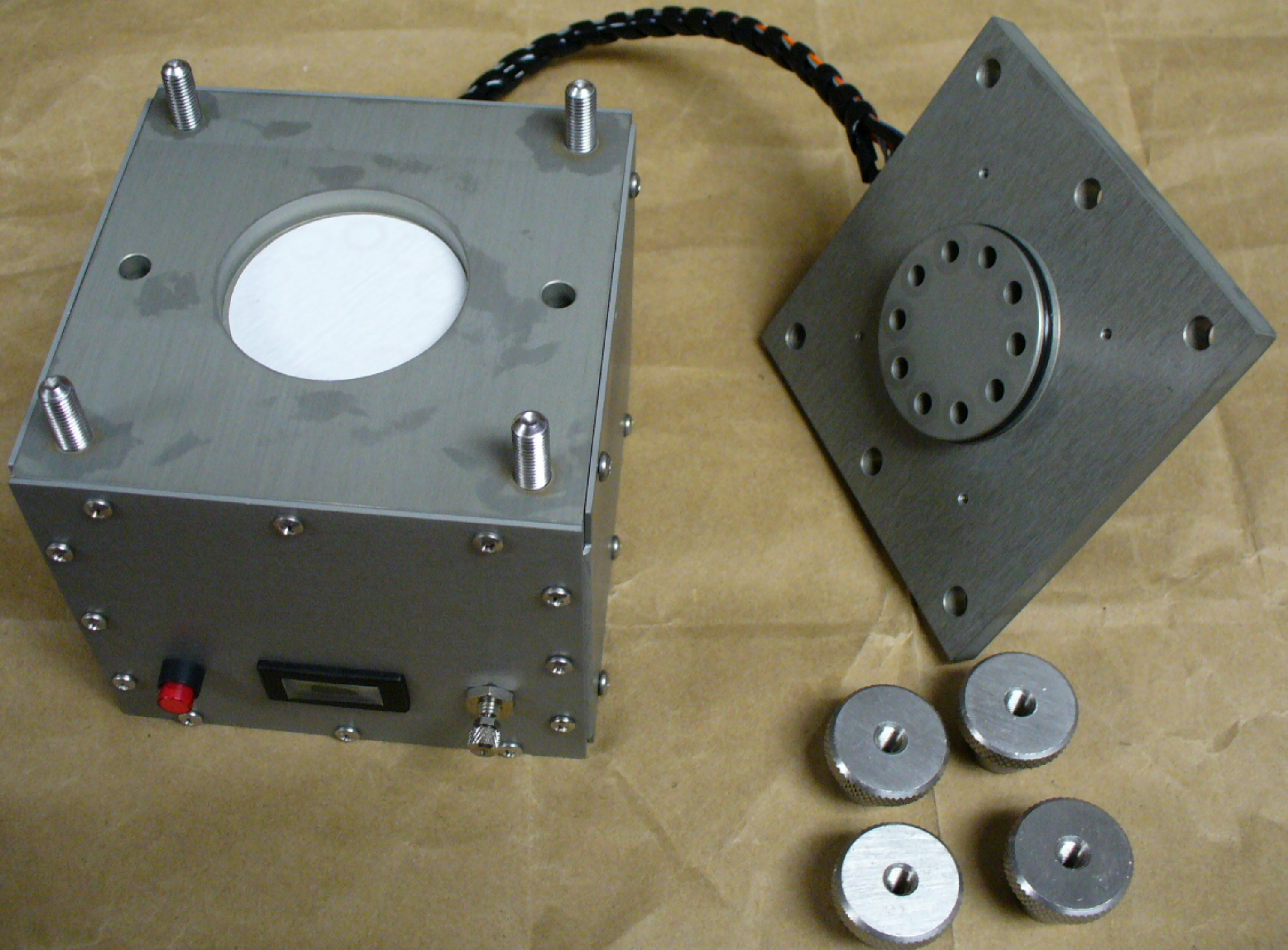


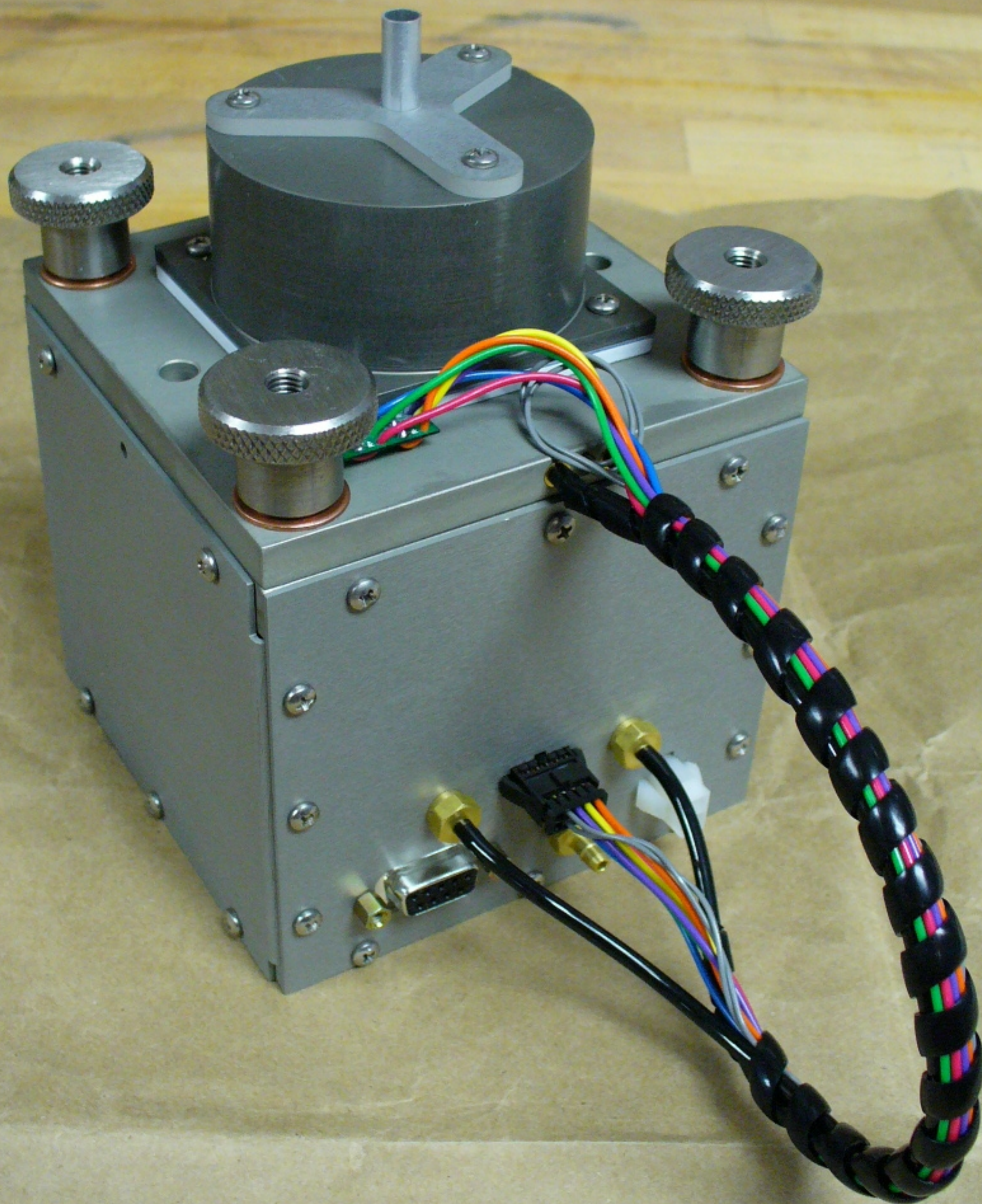
**NOAA Continuous Light Absorption Photometer  
Prototype 10.001 2010-04-02**



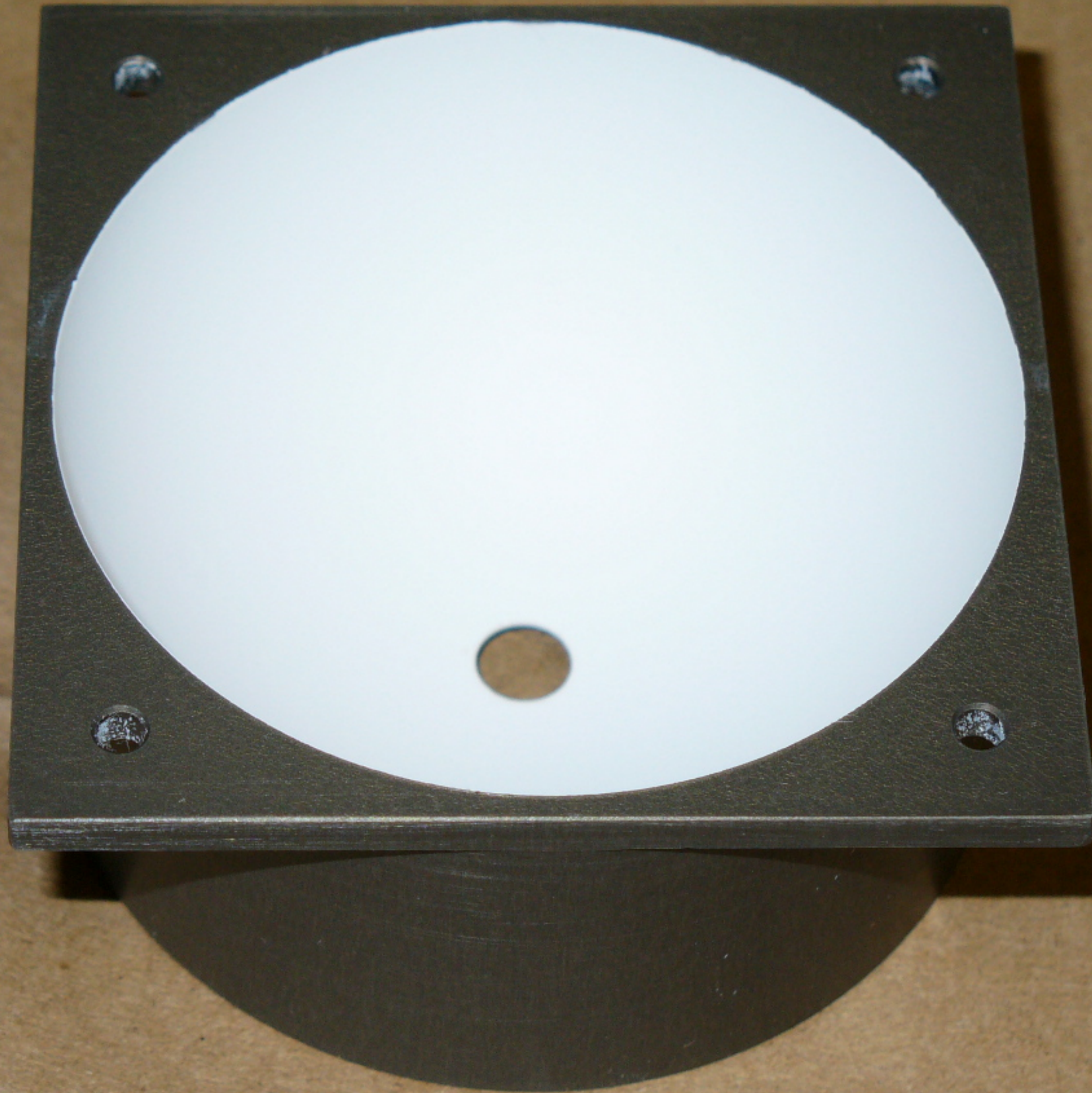
**NOAA Continuous Light Absorption Photometer  
Prototype 10.001 2010-04-02**



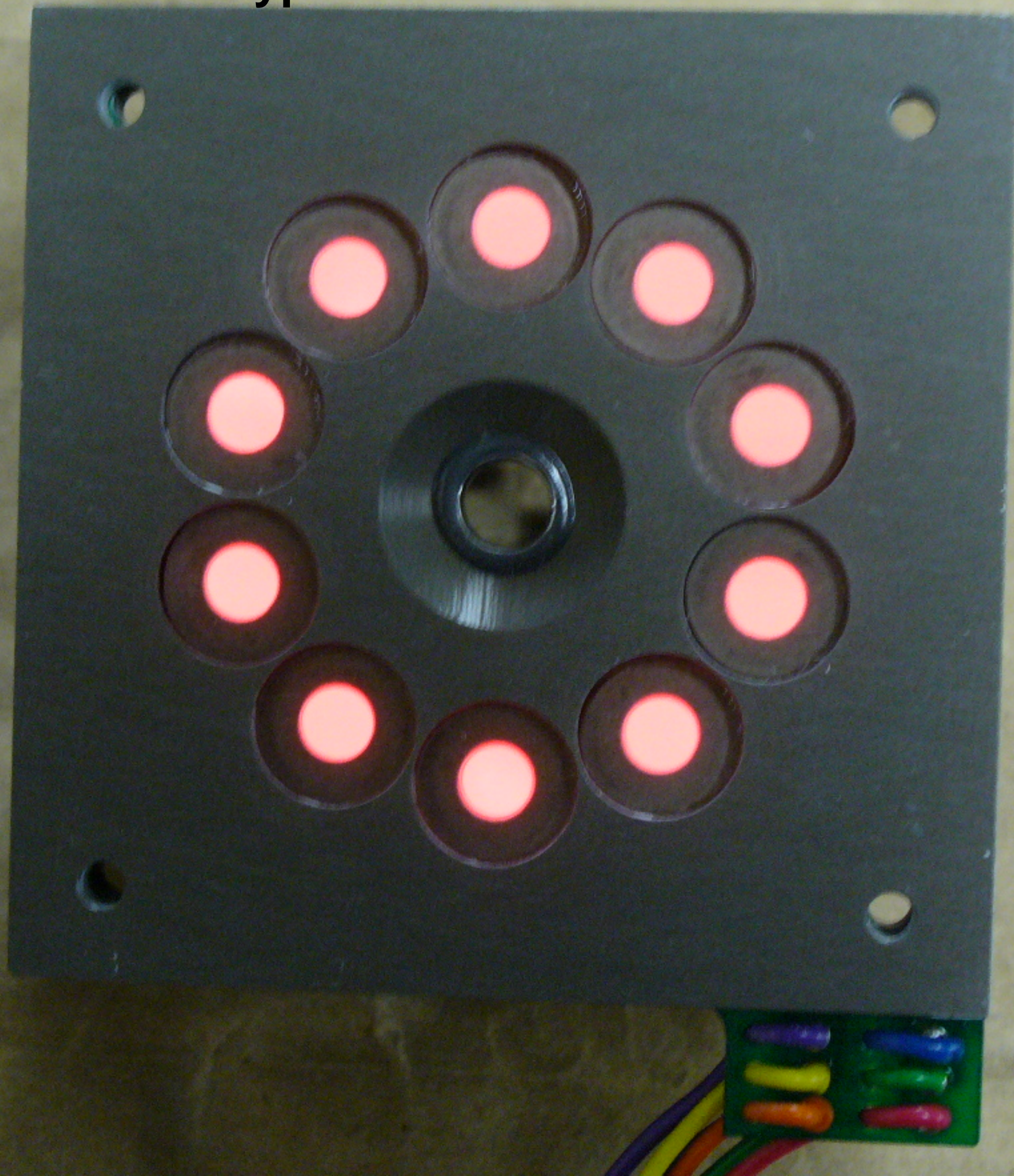
**NOAA Continuous Light Absorption Photometer  
Prototype 10.001 2010-04-02**



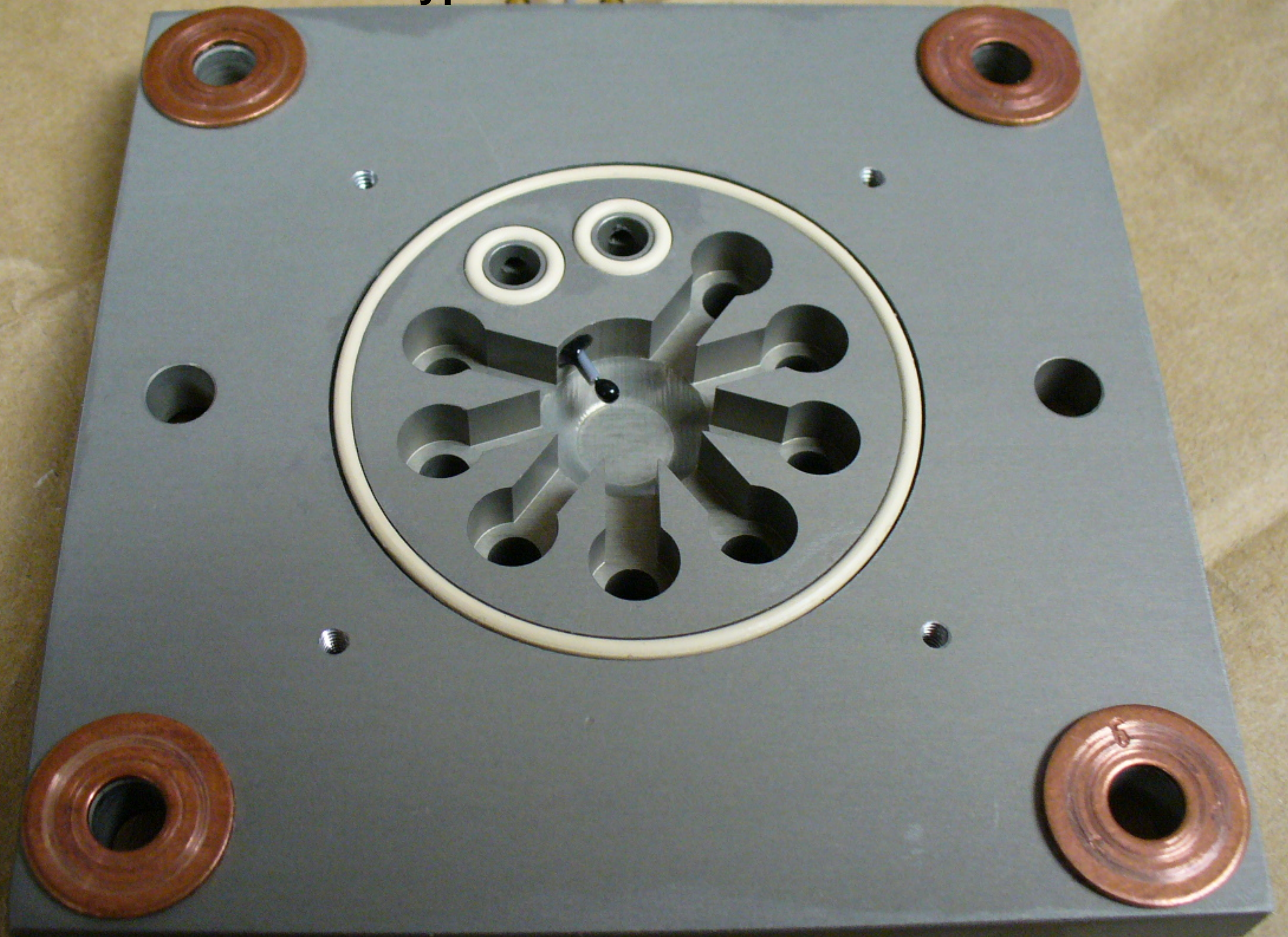
**NOAA Continuous Light Absorption Photometer  
Prototype 10.001 2010-04-02**

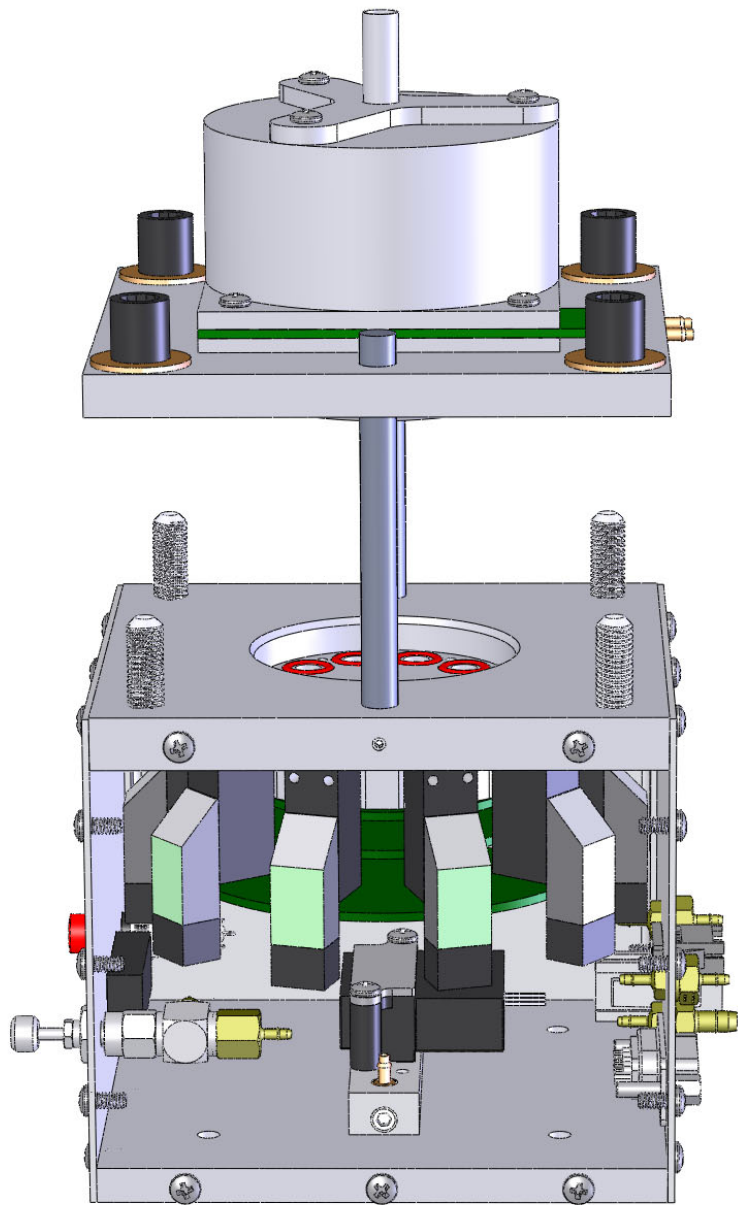


**NOAA Continuous Light Absorption Photometer  
Prototype 10.001 2010-04-02**

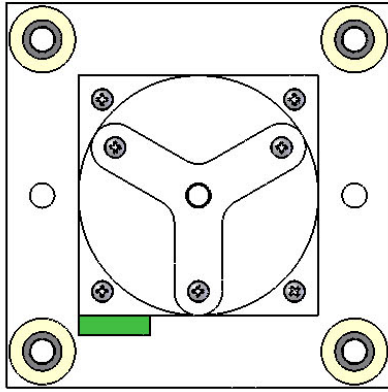


**NOAA Continuous Light Absorption Photometer  
Prototype 10.001 2010-04-02**

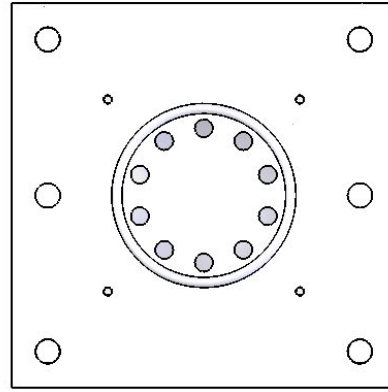




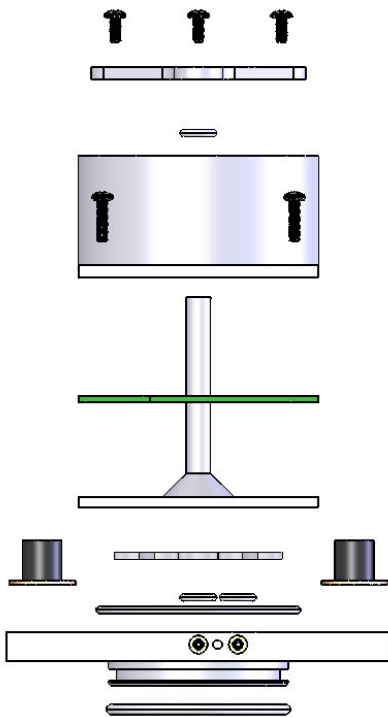
Top View



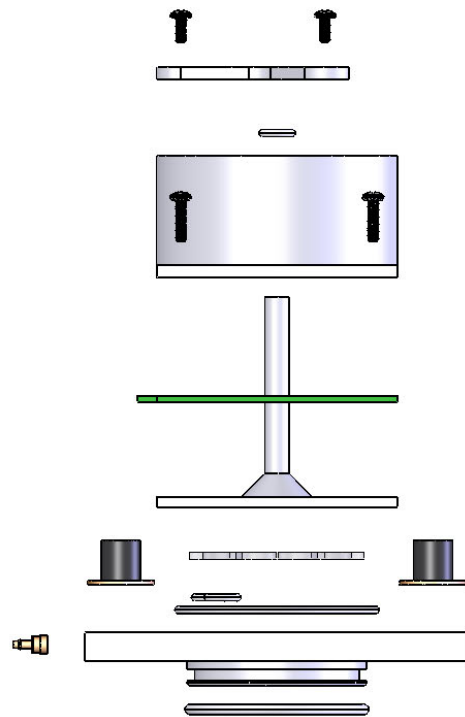
Bottom View



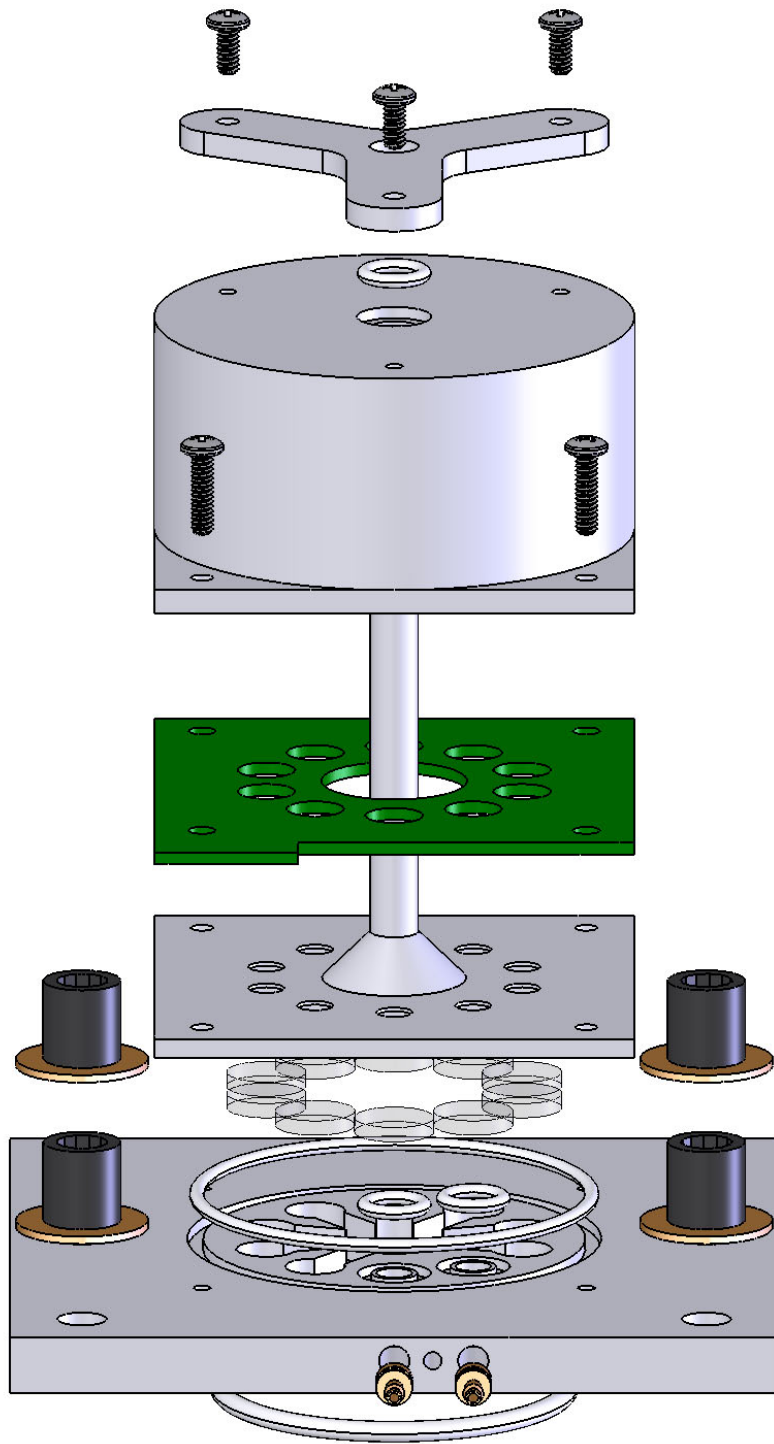
Back View



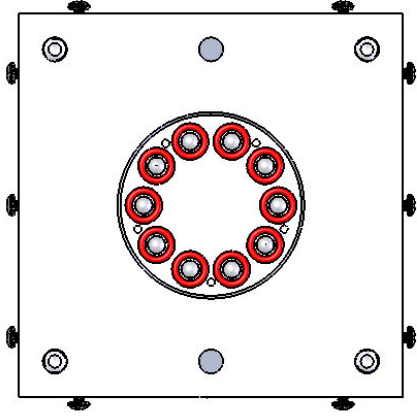
Side View



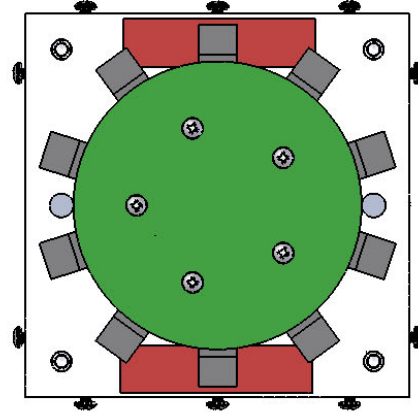




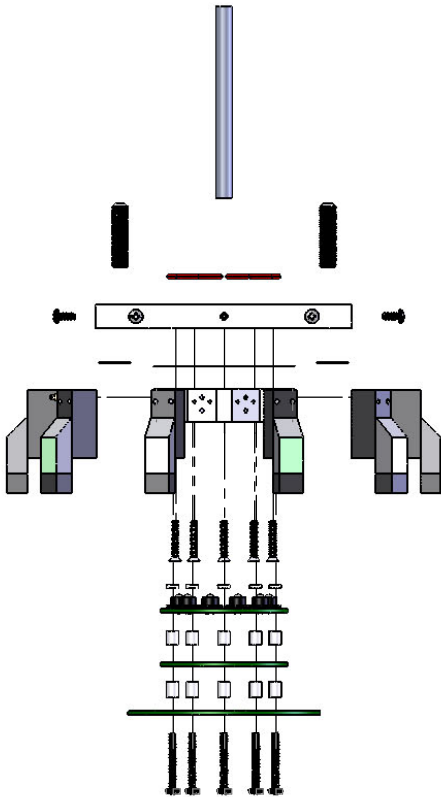
Top View



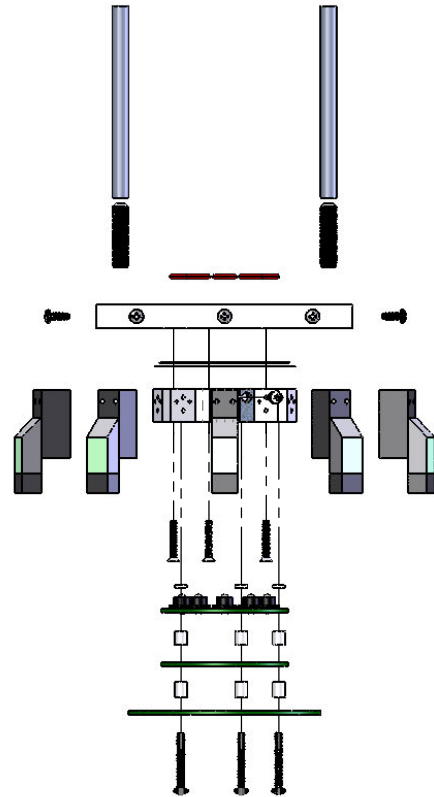
Bottom View

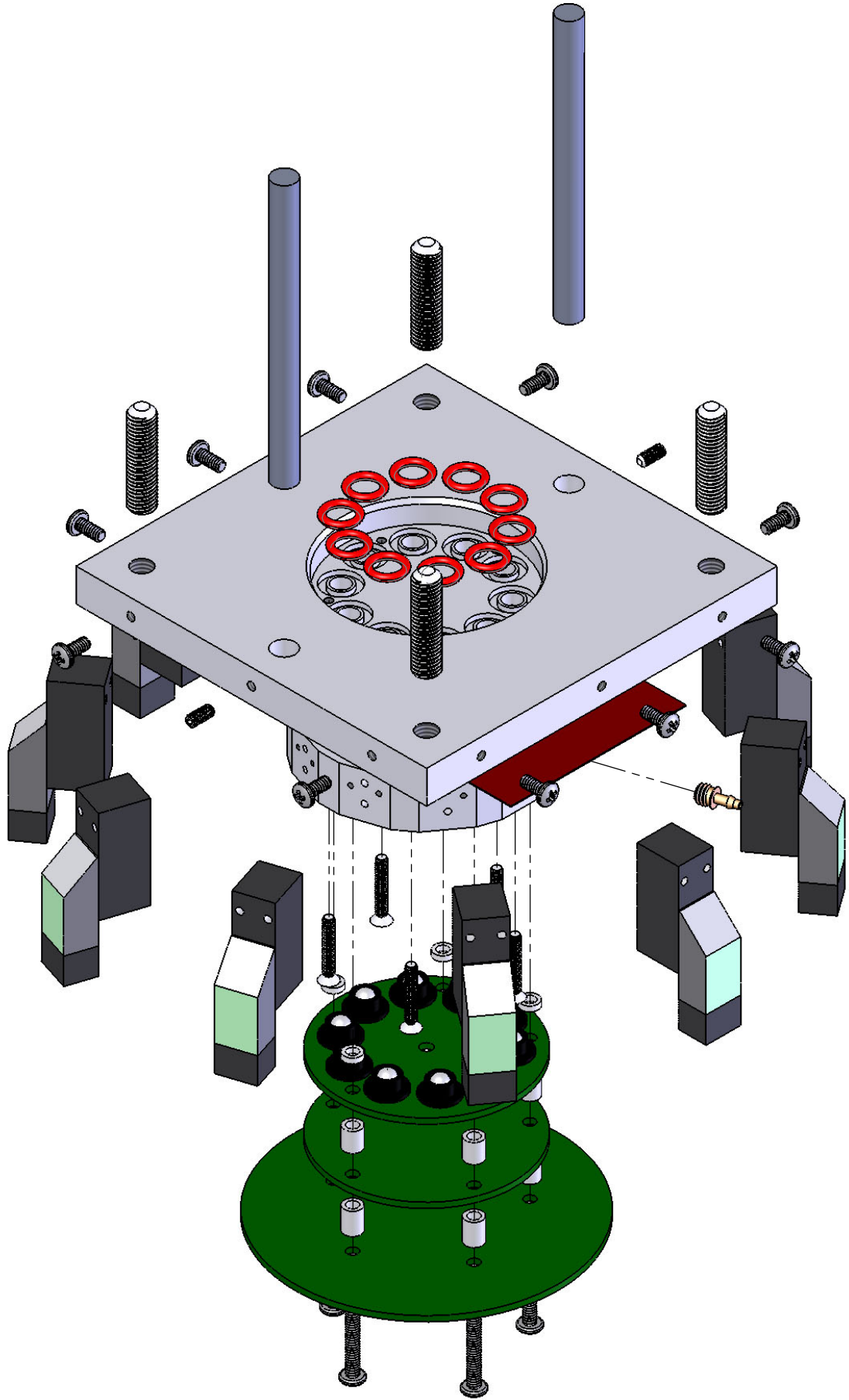


Side View

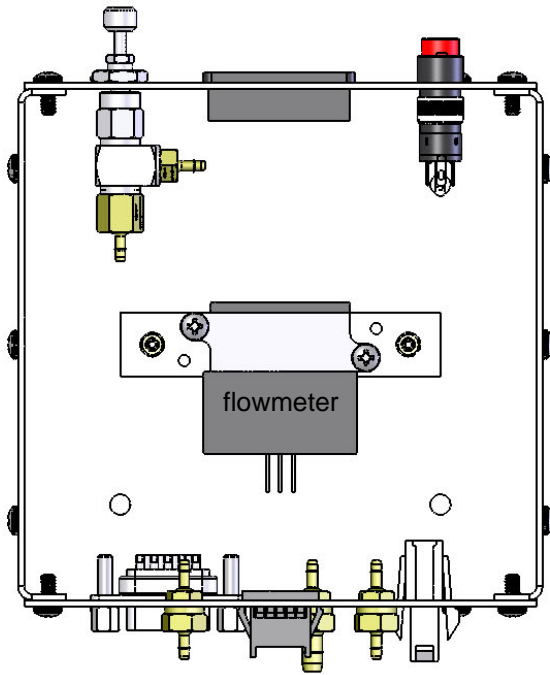


Front View

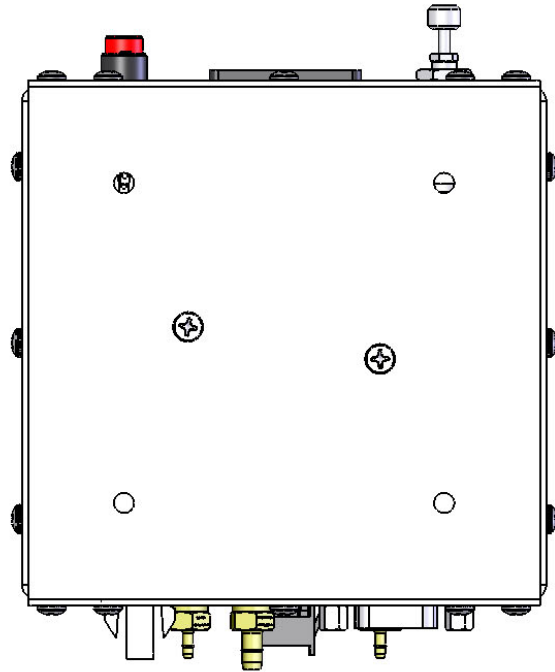




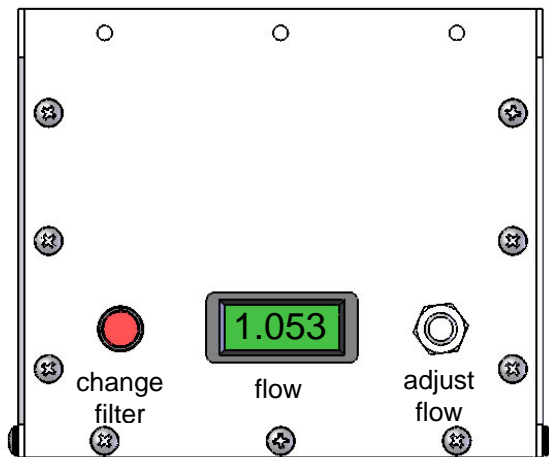
Top View



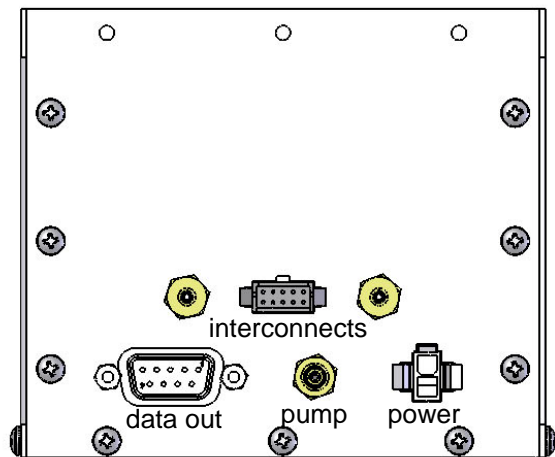
Bottom View

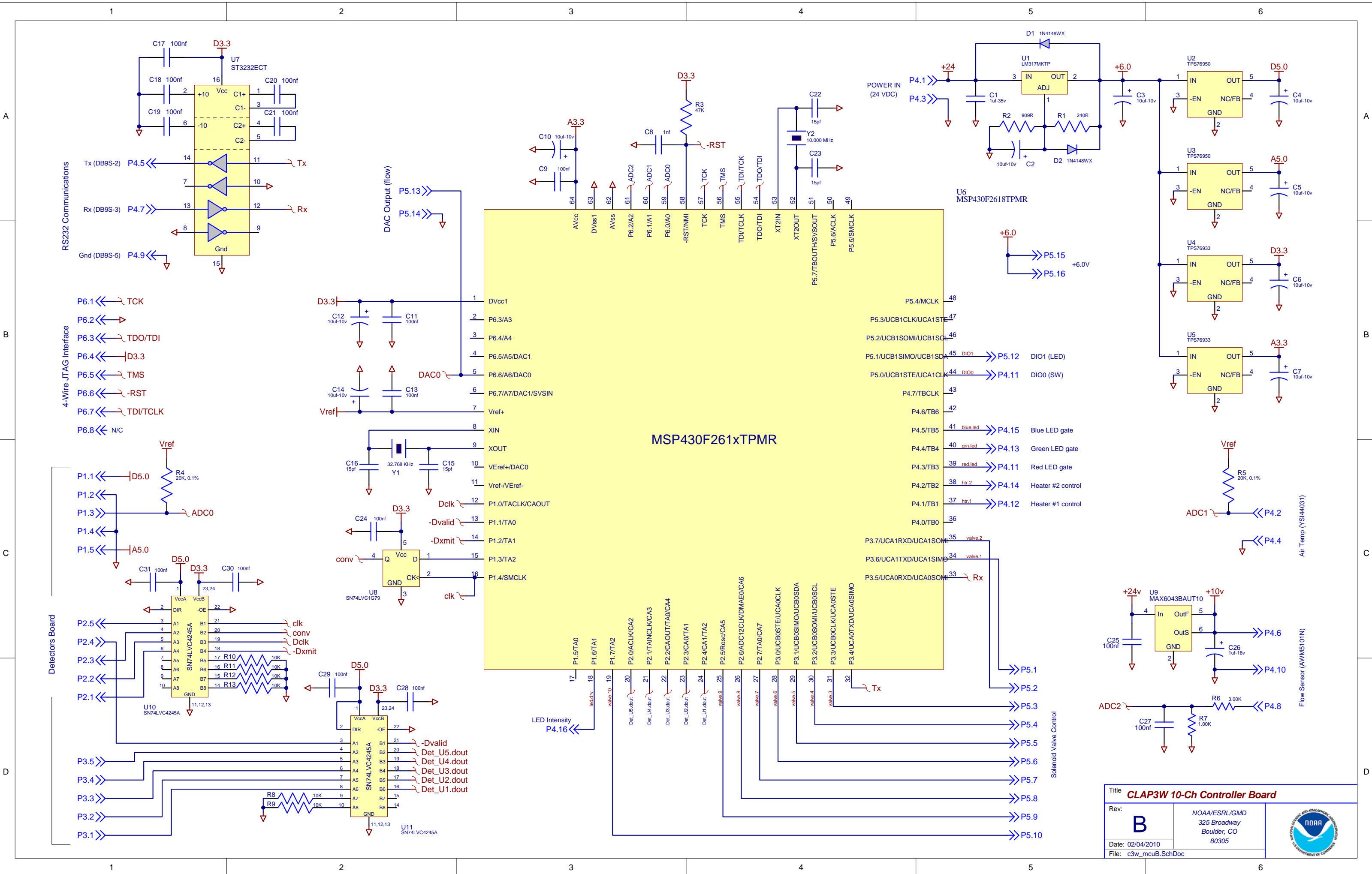



Front View

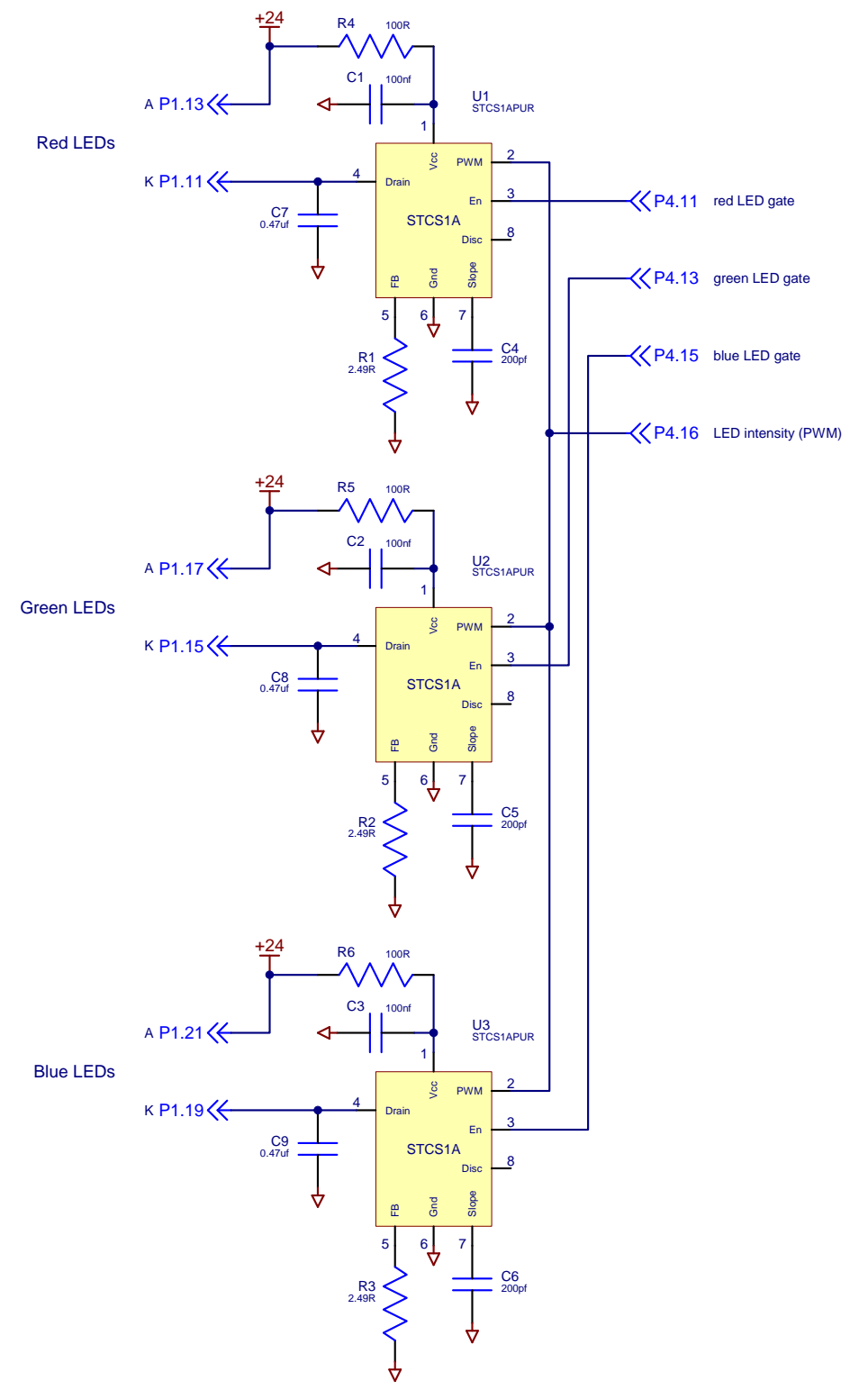
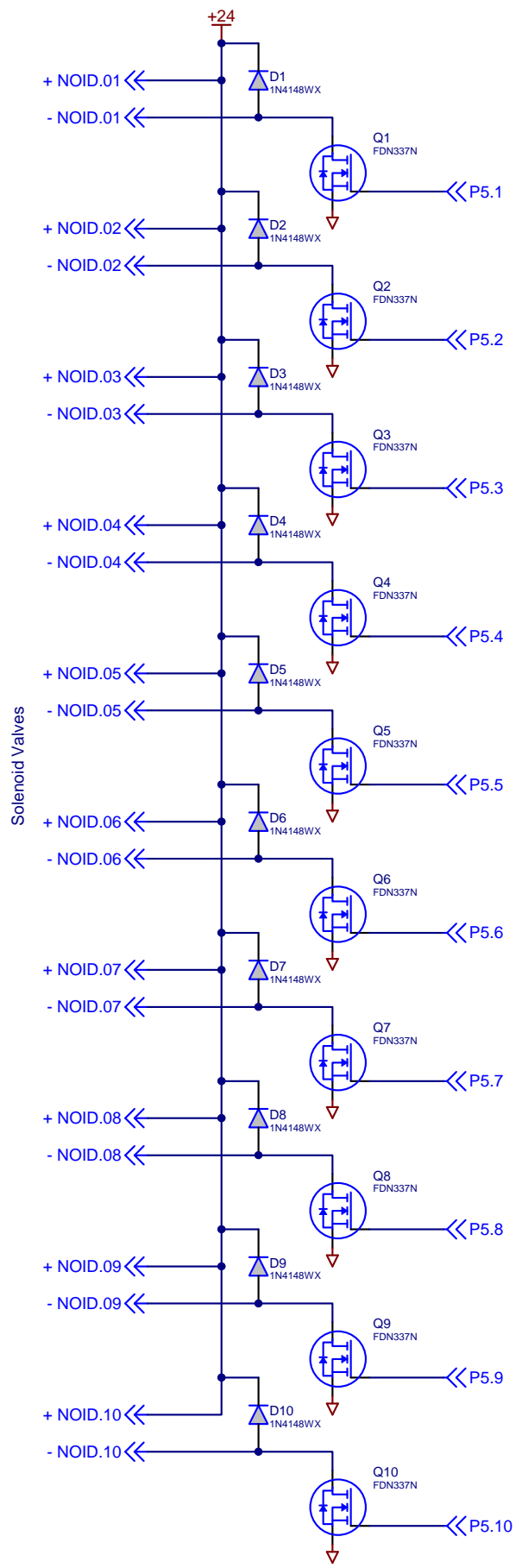
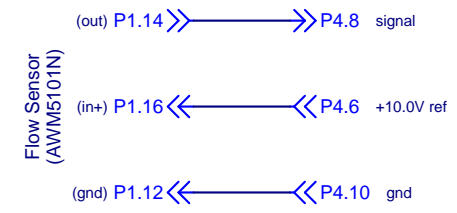
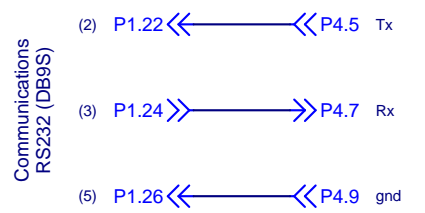
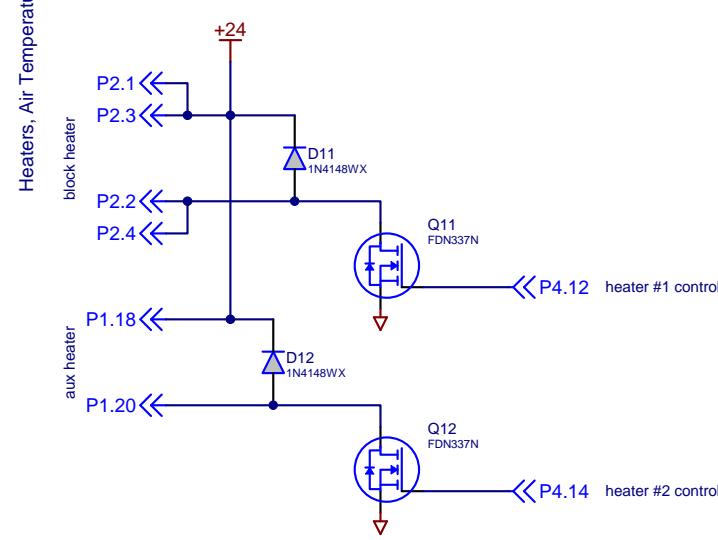
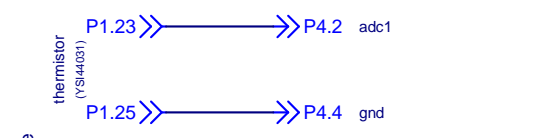
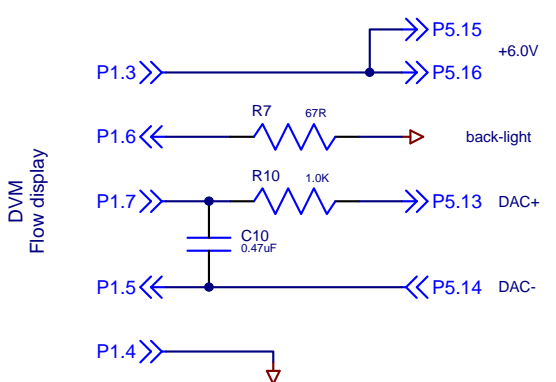
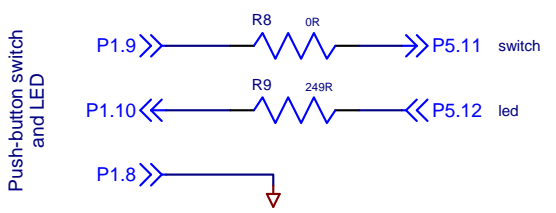
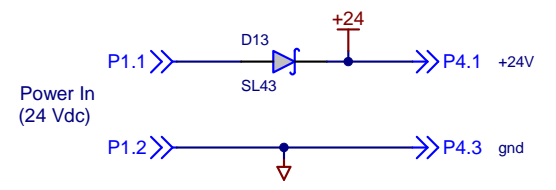



Back View

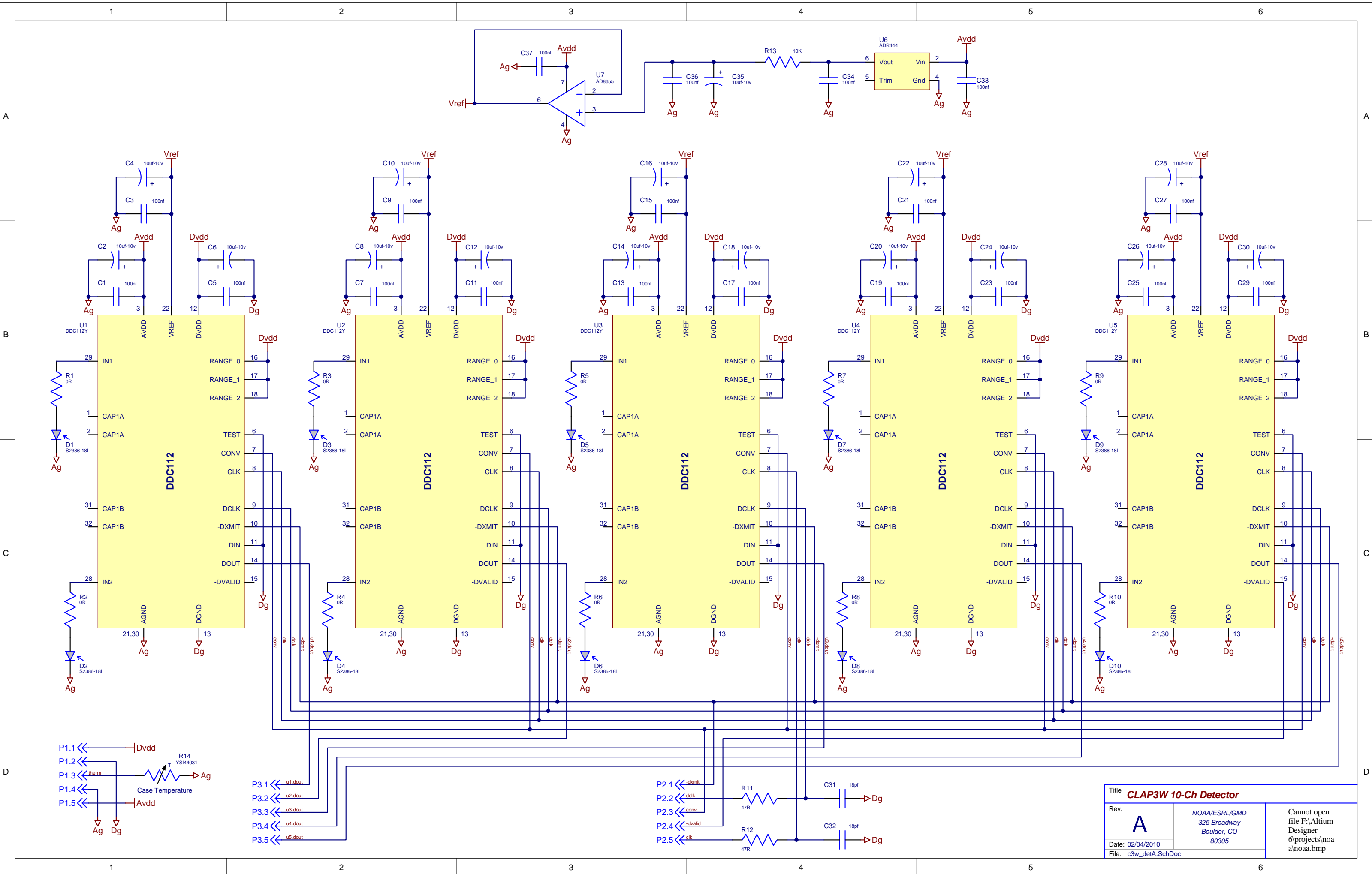




Title <b>CLAP3W 10-Ch Controller Board</b>		
Rev: <b>B</b>	NOAA/ESRL/GMD 325 Broadway Boulder, CO 80305	
Date: 02/04/2010		
File: c3w_mcuB.SchDoc		

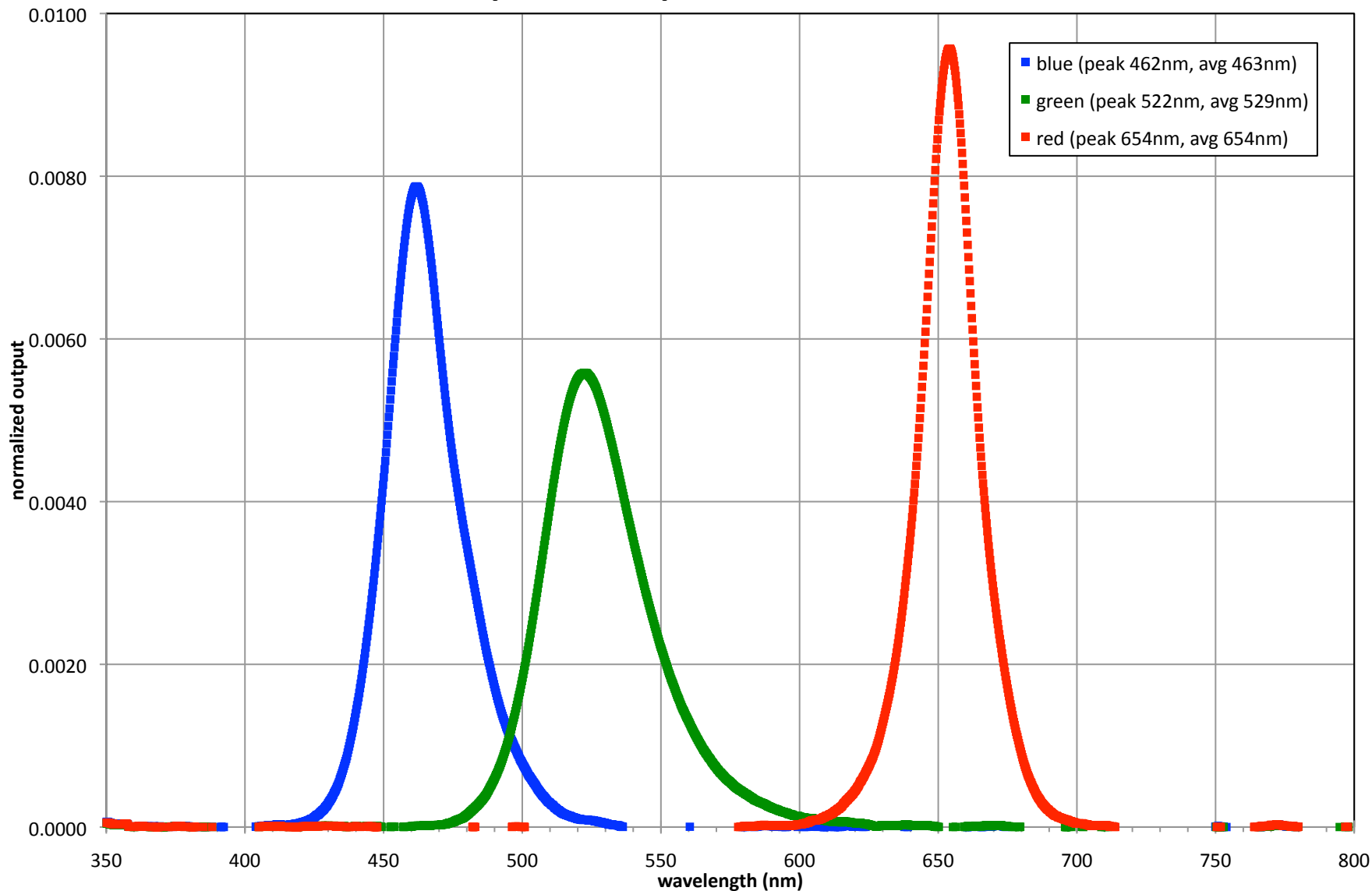


Title <b>CLAP3W 10-Ch I/O Board</b>		
Rev: <b>B</b>	NOAA/ESRL/GMD 325 Broadway Boulder, CO 80305	
Date: 02/04/2010		
File: c3w_ioB.SchDoc		



Title <b>CLAP3W 10-Ch Detector</b>		
Rev: <b>A</b>	NOAA/ESRL/GMD 325 Broadway Boulder, CO 80305	Cannot open file F:\Altium Designer 6\projects\noa a\noa.bmp
Date: 02/04/2010		
File: c3w_detA.SchDoc		

LED spectral output - CLAP s/n 10.001





# CLAP/PSAP noise vs. Averaging Interval

Smoothers: PSAP=4-sec boxcar; CLAP=1-pole, 4-pass,  $\tau_{\text{eff}}=3\text{-sec}$

